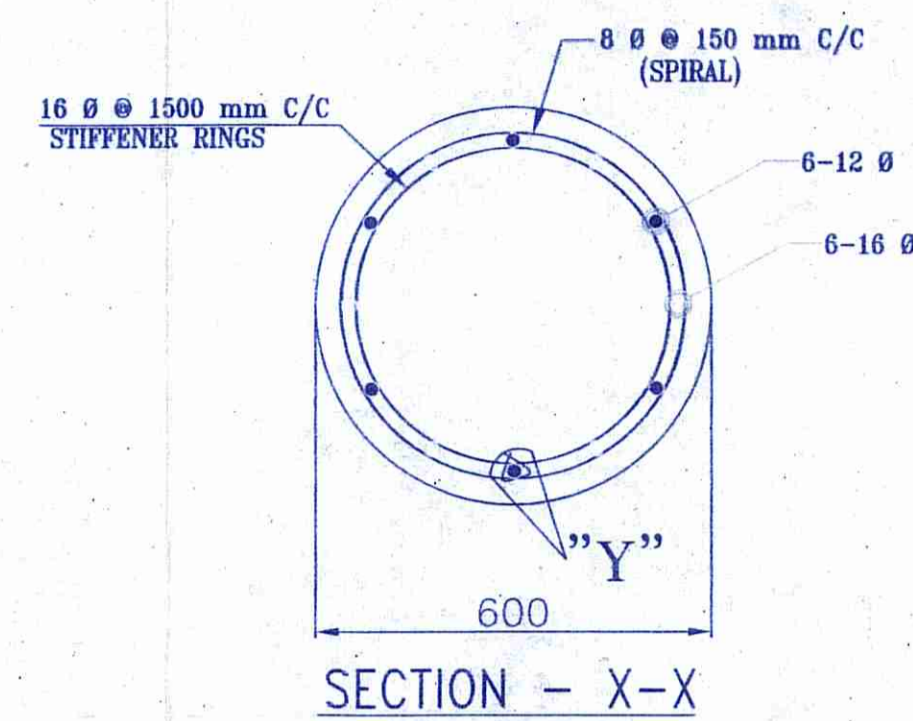
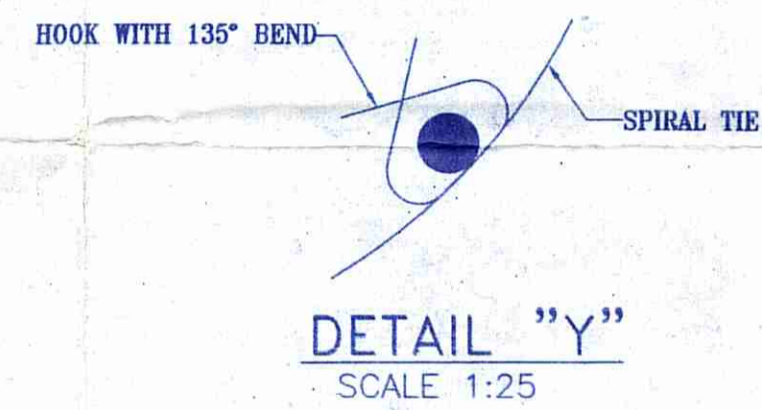


PILECAP LAYOUT PLAN
AT LEVEL (±)0.00 M.
SCALE-1:100

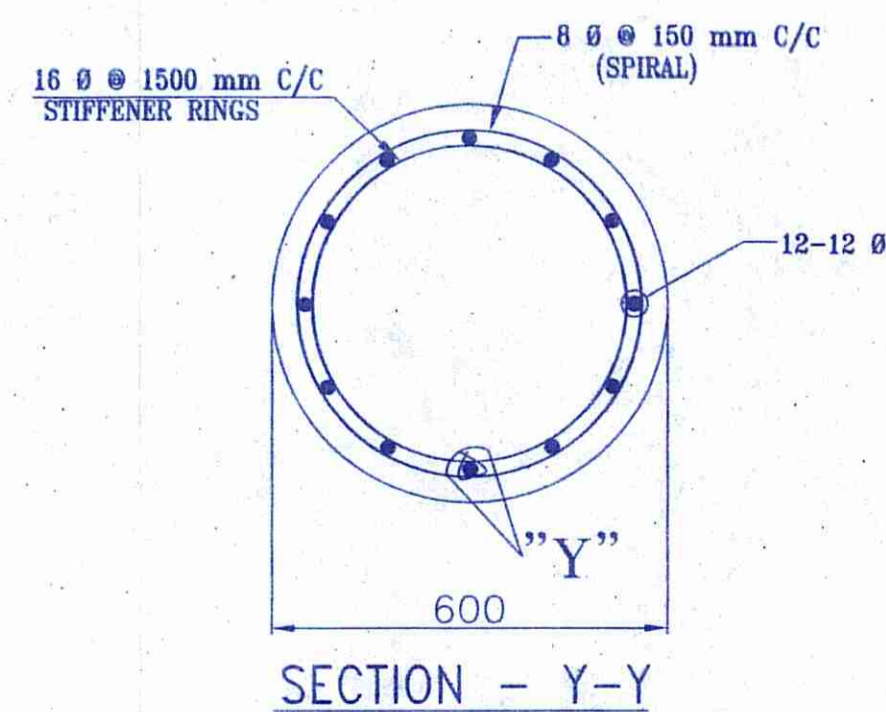
PILE LAYOUT PLAN
AT LEVEL (±)0.00 M.
SCALE-1:100



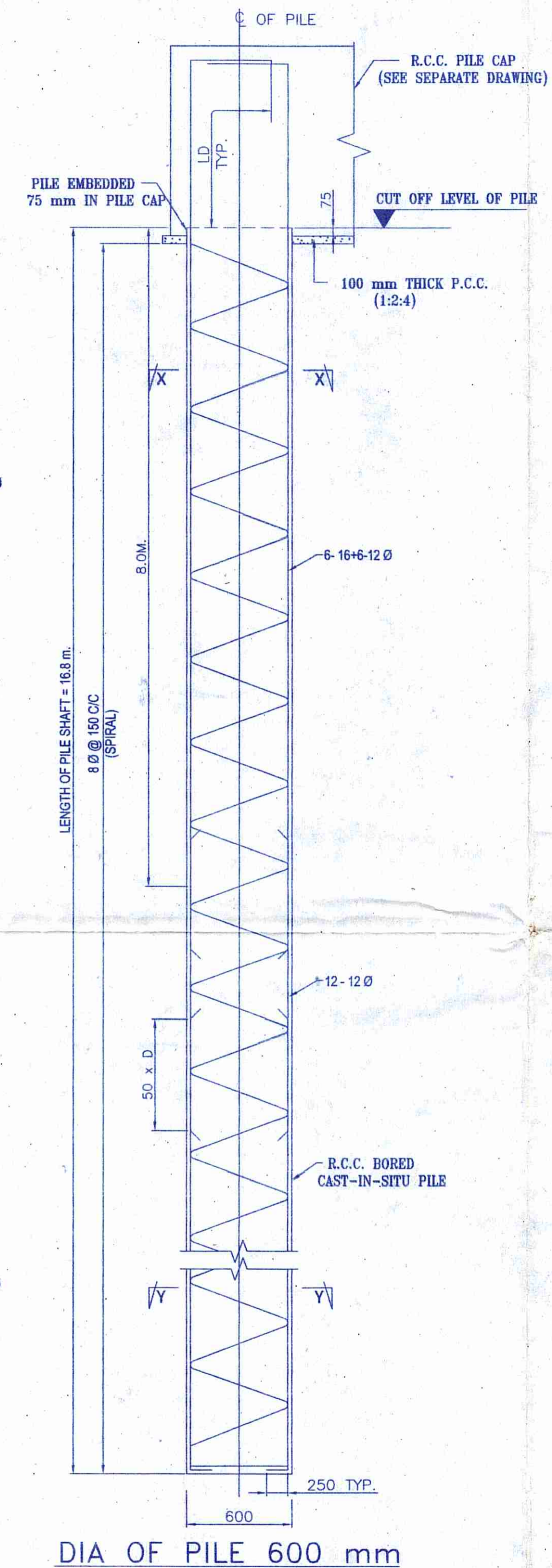
SECTION - X-X



DETAIL "Y"
SCALE 1:25



SECTION - Y-Y



SCHEDULE OF PILE

LEGEND	DIA. OF PILE (mm)	CUT-OFF LEVEL BELOW G.L. (m)	PILE SHAFT LENGTH (L) (m)	PILE CAPACITY		
				SAFE WORKING LOAD IN TONS		
				COMPRESSION	TENSION	LATERAL
○	600 φ	(-) 1.275 [FOR ALL PILES EXCEPT THE PILES IN SHADED REGION] (-) 2.725 [FOR PILES IN SHADED REGION ONLY]	16.8	70.0	52.0	6.9

NOTE : ABOVE ARE THE PILE DETAILS ADOPTED. THESE MUST BE ENSURED AT SITE BY PILE LOAD TEST FOR VALIDITY OF THIS DRAWING.

- NOTES:-
1. ALL DIMENSIONS ARE IN MILLIMETER AND LEVELS ARE IN METER UNLESS OTHERWISE STATED.
 2. ±0.00 LVL. REFERS TO G.L.
 3. CLEAR COVER SHALL BE AS FOLLOWS:-
TOP BOTTOM SIDE
 - a) PILE- 60 mm 60 mm 50 mm
 - b) PILE CAP- 60 mm 60 mm 60 mm
 - c) LIFT WALL- 20 mm
 4. GRADE OF CONCRETE FOR PILE CAP SHALL BE M25 AS PER IS:456:2000.
 5. UNLESS OTHERWISE SPECIFIED ALL REINFORCEMENT TO BE USED SHALL BE TMT BARS OF GRADE Fe-500/500 D CONFORMING TO IS-1786-2008.
 6. CONCRETE GRADE OF PILE SHALL BE M25 WITH MINIMUM CEMENT CONTENT OF 400KG/CUM OF CONCRETE & SLUMP BETWEEN 150mm TO 180mm.
 7. CONCRETING SHALL BE DONE BY SUITABLE TREMIE ONLY & IT SHOULD BE REACHED WITHIN 500 TO 750mm FROM BOTTOM LEVEL OF BORE HOLE.
 8. CONCRETING SHALL BE DONE AS SOON AS POSSIBLE AFTER COMPLETING THE PILE BORE. THE BORE HOLE FULL OF DRILLING MUD SHOULD NOT BE LEFT UNCONCRETED FOR MORE THAN 12 TO 24 HOURS DEPENDING UPON THE STABILITY OF BORE HOLES.
 9. FOR PLACING CONCRETE IN PILE BORE A FUNNEL SHOULD BE USED & METHOD OF CONCRETING SHOULD BE SUCH THAT THE ENTIRE VOLUME OF THE PILE BORE IS FILLED UP WITHOUT THE FORMATION OF VOIDS.
 10. THE PILE HEADS SHALL PROJECT IN TO THE PILE CAP 75mm. THE HEADS TO BE NEATLY FORMED TO THE REQUIRED DIA.
 11. ALL LAP JOINTS AND DEVELOPMENT LENGTHS SHALL BE 50xDIA. & TACK WELDED.
 12. INITIAL PILE LOAD TEST AND ONE NUMBER ROUTINE LOAD TEST SHALL BE PERFORMED AS PER IS CODE FOR EVERY 100 PILES.
 13. SPACER BAR OF DIA T16 ARE TO BE PROVIDED AT AN INTERVAL OF 1500 mm C/C.
 14. BENTONITE TO BE USED AS PER IS CODE.
 15. VIBRATOR SHALL BE USED FOR PROPER COMPACTION OF CONCRETE AND CURING SHALL BE DONE PROPERLY.
 16. THIS DRAWING SHOULD BE READ ALONG WITH THE CORRESPONDING ARCHITECTURAL DRAWING.
 17. THIS DRAWING IS TO BE READ IN CONJUNCTION WITH RELEVANT SURVEY DRAWING.
 18. PILE CAPACITY OF SOIL & OTHER NECESSARY INFORMATION HAS BEEN CONSIDERED AS PER SOIL REPORT PREPARED BY Mr. ASIM SARKAR OF ASSOCIATED FOUNDATION ENGINEERS. THESE RECOMMENDATIONS MUST BE ENSURED AT SITE BY IN-SITU PILE LOAD TEST.

SPECIAL NOTES:
1. THIS STRUCTURAL DRAWING IS VALID IF THE CONSTRUCTION IS DONE USING AAC BLOCKS FOLLOWING PROPER DIMENSION OF EXTERNAL AND INTERNAL WALLS AS PER ARCHITECTURAL DRAWING.

TITLE
STRUCTURAL DRAWINGS OF PROPOSED ELEVEN (G+10) STORED RESIDENTIAL APARTMENT OF LAND OWNERS MILON RUIDAS & MRITYUNJOY RUIDAS, OVER, PLOT DETAILS / ADDRESS : PLOT NO- 43/67(R.S.) 187(L.R.); , L.R. KHATIAN NO- 1800(L.R.) & 1598/1(L.R.), J.L. NO-111, MOUZA:- TETIKHOLA, P.S.-N.T.S.P.S, DIST. -PASHIM BARDHAMAN

SIGNATURE OF L.B.S./ENGINEER/ARCHITECT

JUI CHATTERJEE
REG. NO. 103352
Ph. No. 9434649399, 765893411

JUI CHATTERJEE
(LICENSE NO - DMCB/PD/25)
SIG. OF ARCHITECT/ENGINEER

ANIRBAN BHATTACHARJEE
(LICENSE NO - CA201402790)

SIGNATURE OF GEOTECHNICAL ENGINEER

ASIM SARKAR
BCE,ME(SOIL),MGS,MIE
EMPALEED GEOTECHNICAL ENGINEER
KMC No. 67ECLASS12

CERTIFICATE OF STRUCTURAL ENGINEER
THE STRUCTURAL DESIGN AND DRAWING OF BOTH FOUNDATION AND SUPERSTRUCTURE OF THE BUILDING HAS BEEN MADE BY ME CONSIDERING ALL POSSIBLE LOADS INCLUDING THE SEISMIC LOAD AS PER THE NATIONAL BUILDING CODE OF INDIA AND CERTIFIED THAT IT IS SAFE AND STABLE IN ALL RESPECT.

S. Chandrabh 27/9/21
SUSMITA CHOUDHURY
B.TECH (WBUT), M.E. (IIT)
CIVIL ENGINEER, NRDA
LICENCE NO - COVER/NRDA/10/100175
M-8697517321, 7003201735

Dr. Saurya Das Neogi
Asst. Prof. in Soil International Institute
Ph.D (Engg), M.Tech (Soil), M.E. (Soil), MIE
Reg. ES/ 1223 of IITK, CVR/9000A/10/00007
Chartered Engineer
Jodhpur, India-32
Mob. - 9531532946

SIGNATURE OF THE VETTING AUTHORITY

CHECKED & VETTED
DR. DIPANKAR CHATTERJEE
STRUCTURAL ENGINEERING DIVISION
PROFESSOR & HOD (PIL HEAD)
JADAVPUR UNIVERSITY'S DEPARTMENT
OF CIVIL ENGINEERING
B.TECH (ITKOP) GOLD MEDALIST
CPE (IIT KGP)
Ph. No. 9830388502 & 8433993143
EMAIL - Prof.dipankar@gmail.com

SIGNATURE OF PANCHAYAT

Approved Plan No. 55...on Meeting
No. 2020-21, Date 2.11.2020
Valid upto 1.6.2022

Mallik Pradhan
Pradhan
Jemua Gram Panchayat

SIGNATURE OF OWNER

Milon Ruidas
Mrityunjoy Ruidas

DRAWING TITLE
PILE AND PILE CAP LAYOUT PLAN AND REINFORCEMENT DETAILS OF PILE.

SCALE-1:100 OR AS SHOWN

REV 0 DATE- 06.10.2020
REV 1 DATE- 07.09.2021

SHEET 1 OF 6